

# care + use guide



learn more at

[www.fleximug.com](http://www.fleximug.com)

# components

See what makes up the hands-free drinking mug.



**DO NOT PLACE  
IN FREEZER**



**DO NOT PLACE  
IN MICROWAVE**

# cleaning

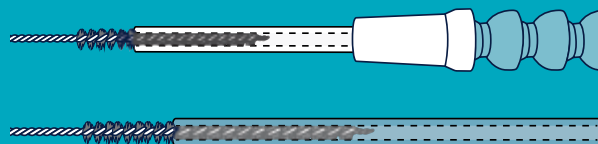
Keep your fleximug in top condition by cleaning it regularly.



**NOT RECOMMENDED  
FOR DISHWASHER**



**WASH  
COMPONENTS  
BY HAND**



**USE CLEANING  
BRUSH THROUGH  
TUBE & STRAW**



# the assembly

See how the pieces properly fit together.

## flexible straw

Stays put in any position, made of durable, food-safe, leakproof, modular plastic.



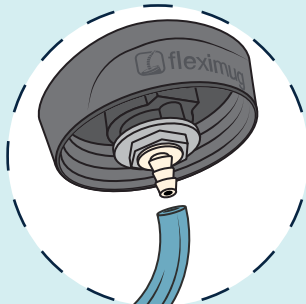
## 1-way air vent lid

Attaches to Flexible Straw, locking in connection when in use. Lid screws in place with mug, and is spill proof when disconnected from straw.



## flexible tube

Attaches to the downward-facing air vent, reaching to the bottom of the mug. Removable for cleaning and replacement.



## stainless steel mug

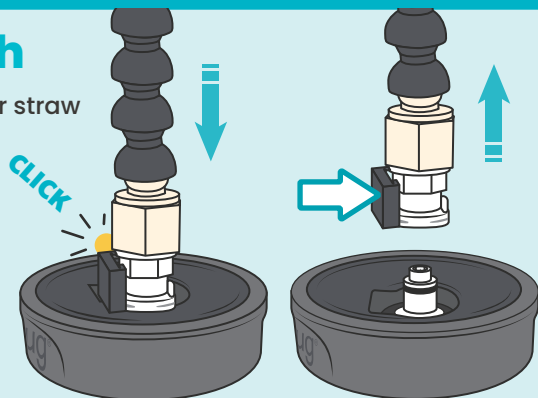
Shiny, stylish, and vacuum insulated. Keep your drinks hot or cold for hours in a BPA-free mug made special for this straw attachment.



# connect & detach

Push-to-connect design for your straw is easy to clean and assemble.

Push the straw down until you hear an audible "CLICK". If the release clip has been accidentally released, the neck will not go onto the mug. To open it, you need to push the button on the base of the straw.



# using fleximug

While you can use Fleximug with liquids other than water, there are certain liquids that may shorten your product's lifespan.



**Ideal Use:** Use Water and thin, low viscous liquids, like Coffee or Tea (iced or hot). To ensure optimal performance, use fluids free of any particles, pulp or carbonation. If you use hot beverages, release any built-up air pressure by unscrewing the lid before you connect the straw.



**Use with Extra Care:** You can drink Flavored Waters, Sports Drinks and Juice, but these liquids may shorten your product's lifespan or cause it to malfunction over time. After use, soak your lid assembly in warm, soapy water then rinse thoroughly because excess sugar in these liquids may cause your lid's air vent to stick.



**Not Recommended:** Using viscous types of liquids can clog the straw or breather mechanism in your lid assembly. We don't recommend using Powdered Drinks, Ice-blended Beverages (ICEEs, Frappuccinos, etc), Carbonated Soda/Pop, Juices with Pulp, Shakes or Smoothies.

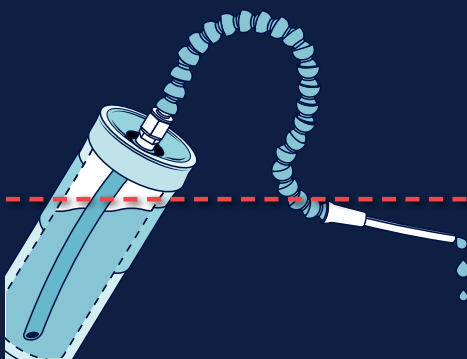
**Always use caution with hot liquids.**

## perfect placement

Avoid leaks during use by keeping this in mind.



Don't position the straw below your liquid level. It will leak unless positioned otherwise.



Do position the straw tip upwards, and make sure it stays placed above the liquid level in your mug.



And, always mount Fleximug below the user's mouth to avoid leaks or spills.

# replacement schedule



Replace integral parts of the Fleximug regularly to maintain optimal bottle hygiene and function.

DRINKING STRAW . . . . . EVERY 3 MONTHS

LID ASSEMBLY . . . . . EVERY 6 MONTHS

## replacement parts

Maintain peak performance of your Fleximug with replacement parts.



### drinking straw

- 16" straw ..... #FXSTR16
- 24" straw ..... #FXSTR24
- 28" straw ..... #FXSTR28
- 32" straw ..... #FXSTR32
- 36" straw ..... #FXSTR36



### lid assembly

Includes lid assembly with quick connect / release valve and interior drinking tube.

#FXLID01



### tube cleaning brush

Keep straws clean with stainless steel tube brush with nylon bristles.

#504711



### mug

Includes insulated stainless steel mug, lid with quick connect / release valve, and interior drinking tube.

#FXMUG01

## bottle holders

We recommend using the Giraffe Bottle line of bottle holders for mounting.



### clamp on bottle holder

Mounts to wheelchairs and other round tubing.

#500311



### under cushion mattress holder

Slide under mattresses, seat cushions, and other surfaces.

#500332



### weighted desktop holder

Keep bottles secure and upright on flat surfaces, desks and tables with this sturdy bottle holder.

#500323



### rail mount bottle holder

Attaches to powerchairs with accessory rails (includes Quantum™ and Permobil™).

#500314



visit our  
**resources**

See our resources page on [fleximug.com](http://fleximug.com) to explore FAQs on this hands-free drinking mug, as well as find products that go well with this device. Please contact us with questions, comments, or feedback.



live with more  
**independence**

Fleximug is a revolutionary product, years in the making. From rigorous development, to introducing to the public, and now revitalized under new ownership, we're excited for Fleximug to find individuals that can benefit from its presence.

Fleximug is built to last a lifetime. Made specifically for those with mild-to-moderate reduced lung function, this product enables easier mobility and engagement with your world.

contact us

[www.fleximug.com](http://www.fleximug.com)  
[sales@fleximug.com](mailto:sales@fleximug.com)  
1-630-922-5004

